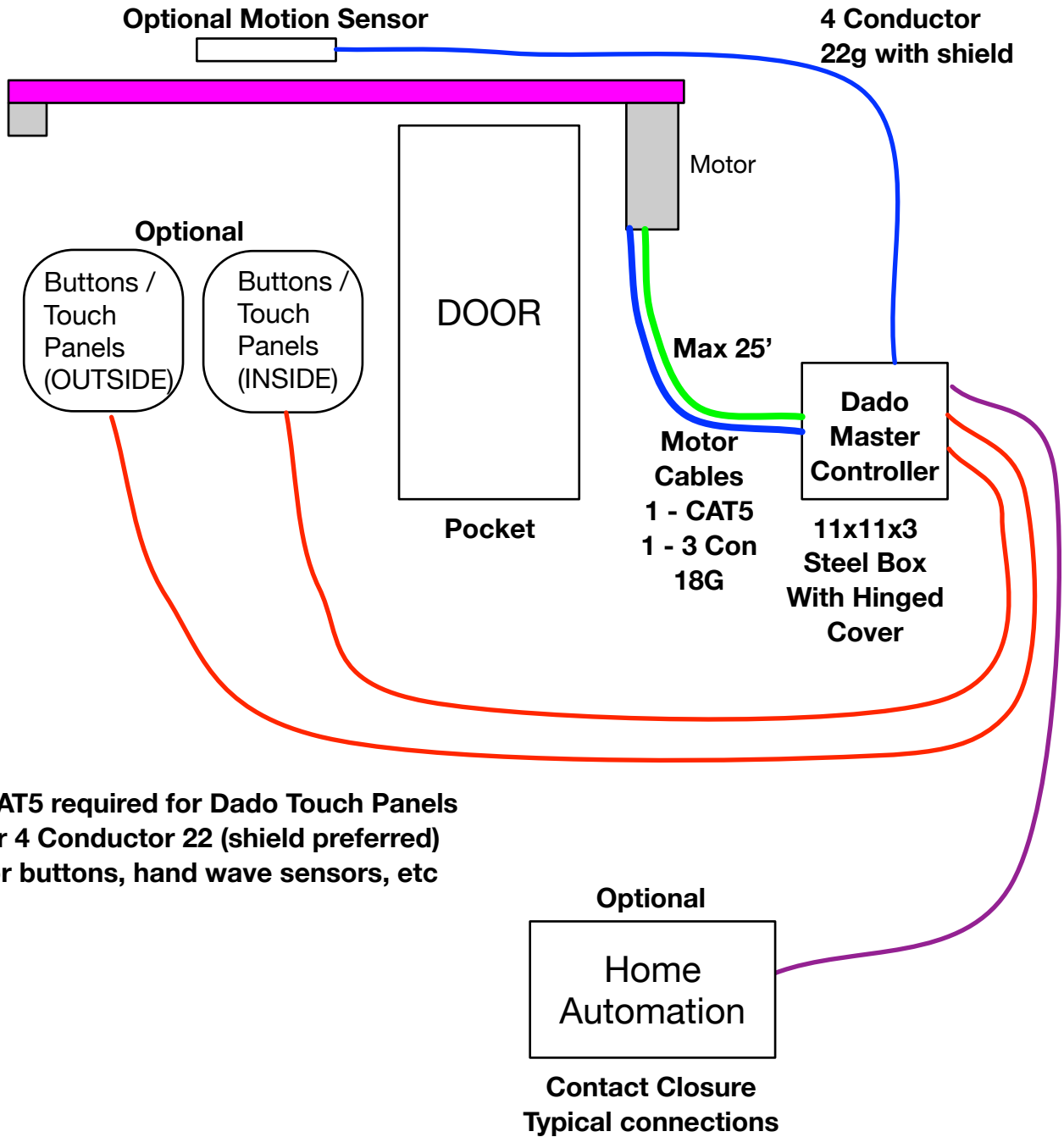


# Dado Door Wiring Diagram

These cable lengths may be requested.



**CAT5 required for Dado Touch Panels  
Or 4 Conductor 22 (shield preferred)  
for buttons, hand wave sensors, etc**