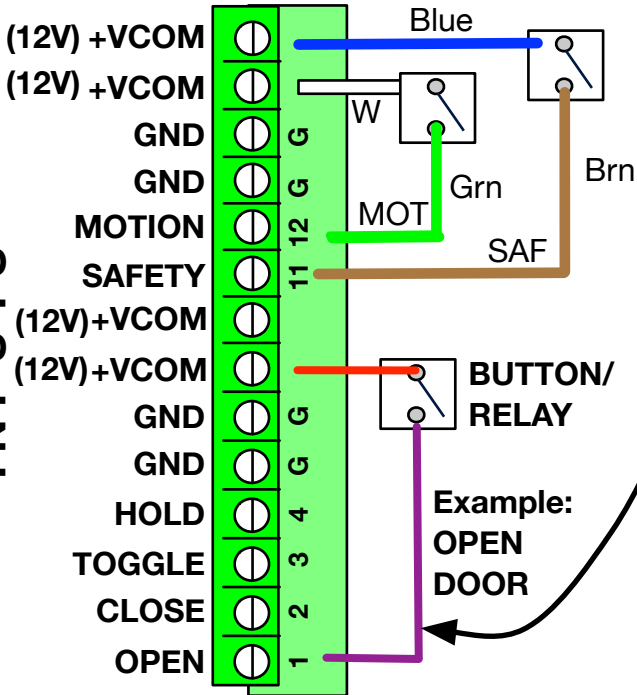


INPUTS



Use Momentary/
Normally Open
Contact/Relay

dadodoor.com

HOLD - Used to HOLD door open when using AUTOCLOSE MODE. (Maintain Contact)

Toggle = Move door to opposite side.

Use 18-22G stranded.

+VCOM is the built in +12VDC power. Never connect external voltages!

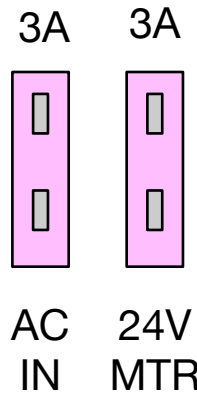
Always have all power OFF when making ANY connections.

**Do not roll up excess Motor Cable on either end! Keep MTR Cables separate if left over at end

*****ALWAYS** use wire ties to secure cables to motor = strain relief

MAIN FUSES

Standard Fuses 3A.
Large doors may be higher for 24V Motor Fuse ie 4A,5A



Use flexible CAT5 Straight Through



Do Not Change settings in MENU without guidance